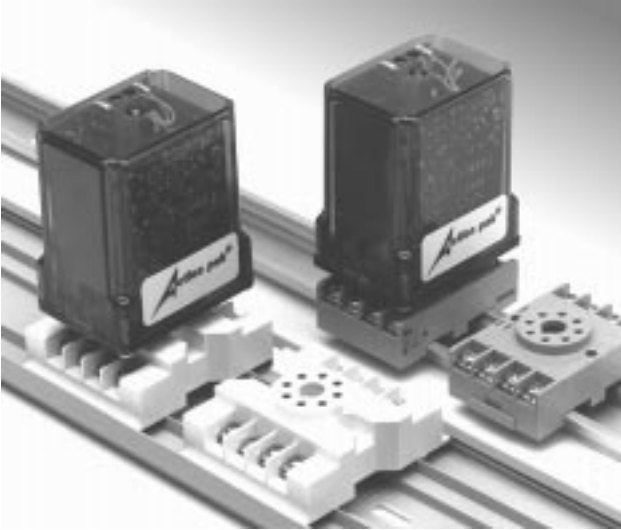


Action Pak®

Mathematical Multiplier

Models AP4410



Provides a DC Output in Proportion to the Product of Two DC Inputs

- **Variety of Input/Output Ranges**
- **Easy Plug-In Installation**
- **AC Line Powered**
- **Three Year Warranty**

APPLICATION

The Action Pak AP4410 Multiplier provides a DC output (Output= Input A x Input B) which is useful in calculating process values such as BTU transfer rate (DT x FLOW x k) and other applications requiring a multiplication function.

INPUT/OUTPUT RANGES

Many standard input and output ranges are available to cover the most popular spans. Non-standard ranges are also available within the following limits:

AP4410 Input limits

Minimum Span		Maximum Input	
Voltage	Current	Voltage	Current
100mV	1mA	100V	1A

AP4410 Output limits

Minimum Span		Maximum Output	
Voltage	Current	Voltage	Current
100mV	1mA	100V	1A

AP4410 Standard Inputs

0 - 1V	1 - 5V	4 - 20mA
0 - 5V	0 - 10V	10 - 50mA

AP4410 Standard Outputs

0 - 1V	1 - 5V	4 - 20mA
0 - 5V	0 - 10V	10 - 50mA

CALIBRATION

Top-accessed screwdriver adjustments provide $\pm 10\%$ typical zero and span adjustability for fine calibration in the field, if needed. For the AP4410, adjust zero for the specified minimum output with inputs A and B at minimum. The AP4410 span is adjusted for the specified maximum output with inputs A and B at maximum. Repeat these adjustments for best accuracy.

OPTION

U Provides a conformal coating on the internal circuitry for moisture and corrosion protection.

MOUNTING

SPECIFICATIONS

Input Impedance

Greater than 200K Ω
Current Spans: 200mV shunt,
typical; 500mV shunt, max.

Output Impedance

Voltage Output: Less than 10 Ω
Current Output: Greater than
100k Ω

Output Drive

Voltage Output: 10mA, max.
Current Output: 15V compliance
at 20mA

Stability

AP4410: Better than 0.02%/ $^{\circ}$ C
of span, typical

Response Time

100 milliseconds, typical

Output Ripple

Less than 0.25% of span or 5mV
peak-to-peak, whichever is
greater

Accuracy

AP4410: within 0.25% of span

Operating Temperature Range (Ambient)

Standard Industrial Environment;
0 to 60 $^{\circ}$ C (32 to 140 $^{\circ}$ F)

Common Mode Rejection

DC: 100dB
60Hz: 80dB

Common Mode Voltage

500VDC or peak AC, max.

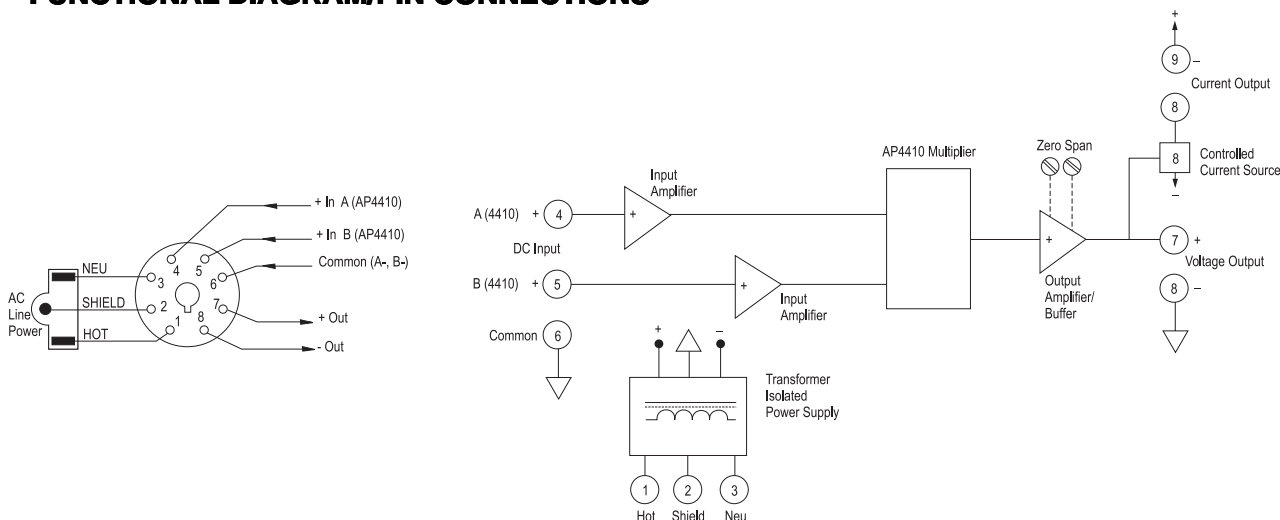
Power

120VAC \pm 10%, 50 to 400Hz
standard, 220VAC, 240VAC
3 Watts typical, 5 Watts max.

Weight

0.50lbs

FUNCTIONAL DIAGRAM/PIN CONNECTIONS



MOUNTING

All Action Paks feature plug-in installation using a molded socket suitable for channel (M008) or DIN rail (MD08).

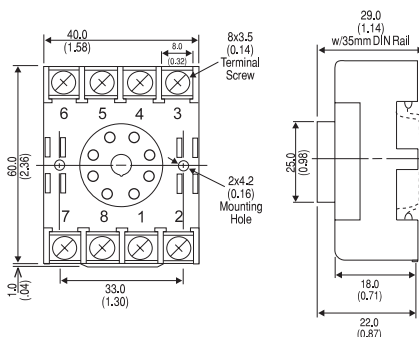
DIMENSIONS

ORDERING INFORMATION

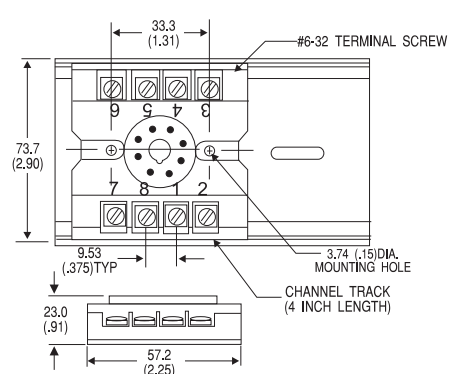
Specify:

1. Model: AP4410
2. Option U, see text
3. Input Range: See standard list
4. Output Range: See standard list
5. Line Power
(if other than 120VAC):
220VAC, 240VAC
All power supplies are transformer
isolated from the internal circuitry

MD08 (DIN)



M008 (Track/Surface)



All Prices and Specifications subject to change without notice

For order entry, applications or customer service assistance, call toll-free 800-767-5726

大连爱克新仪器有限公司

地址:辽宁省大连市中山区七七街23号海鹰大厦403室 邮编:116001

电话:0411-82650498 82597851 传真:0411-82650478


ACTION INSTRUMENTS
...the Industrial I/O Company